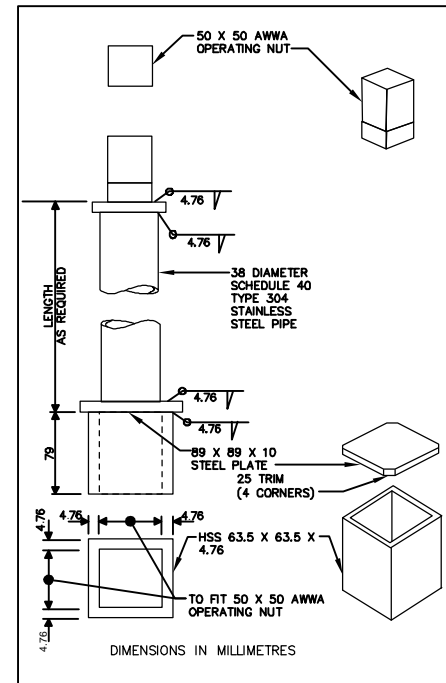
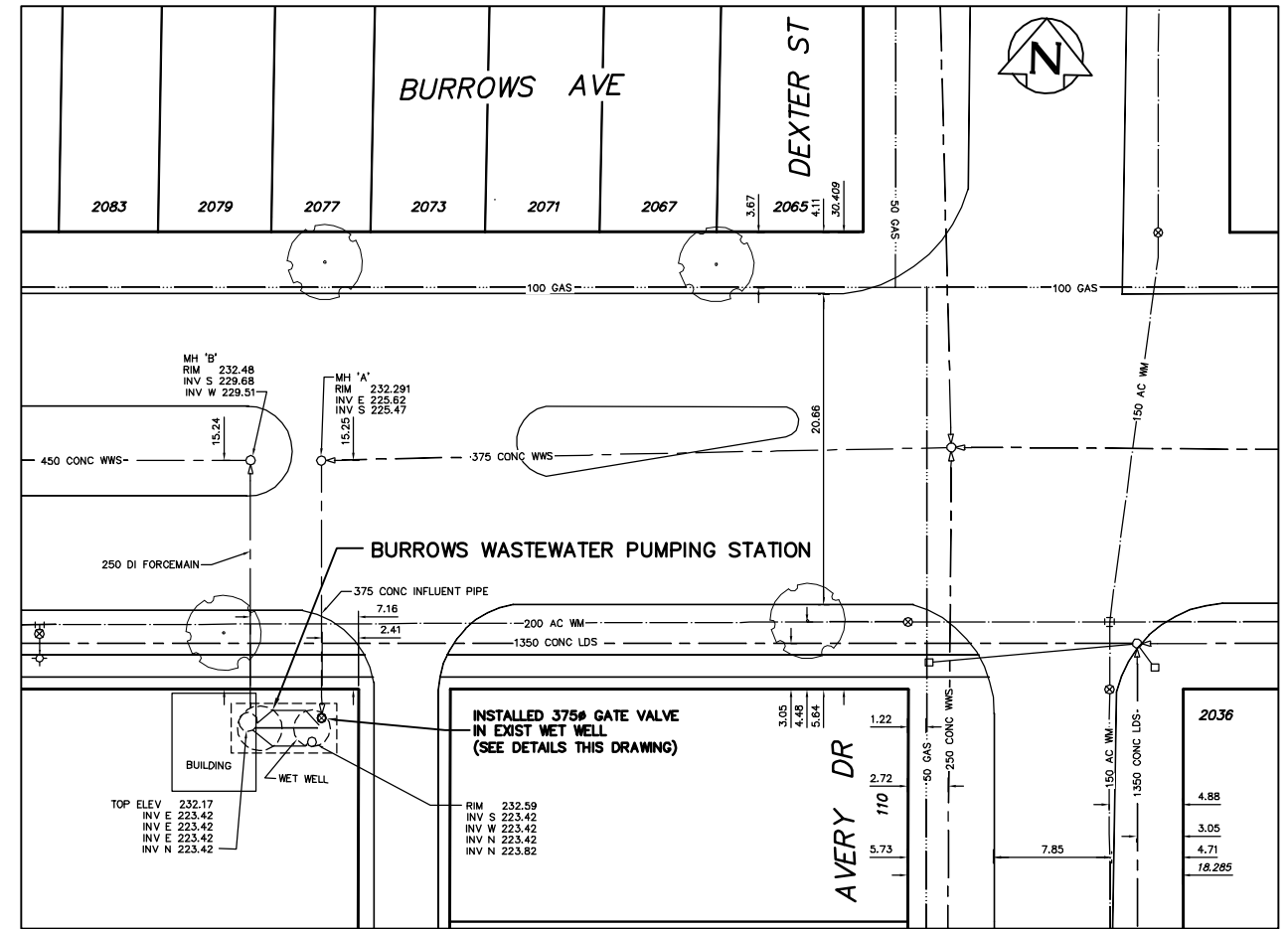


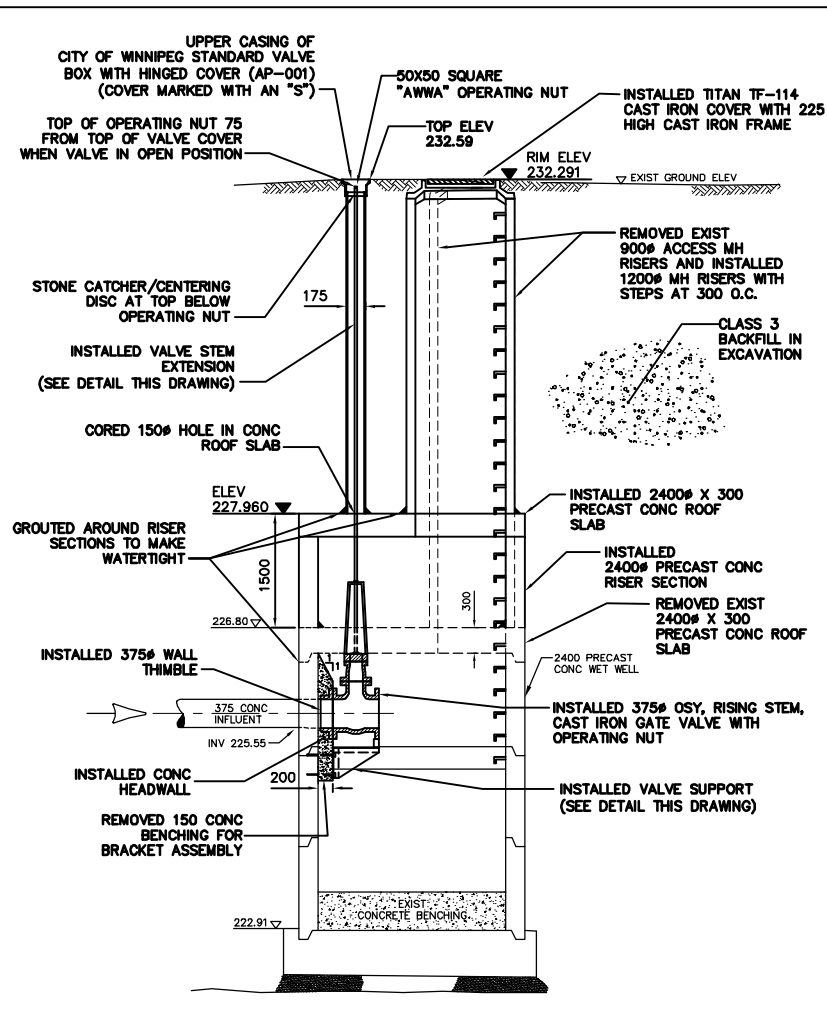
PLAN AT ELEV 226.500
SCALE 1:50



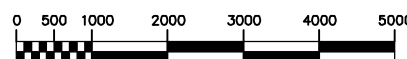
VALVE STEM EXTENSION DETAIL
SCALE N.T.S.



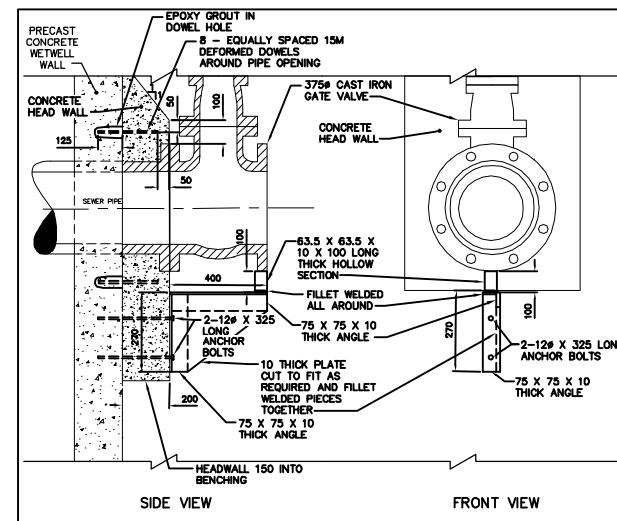
SITE PLAN
SCALE 1:250



SECTION A-A
SCALE 1:50



- NEW PVC BUBBLER LINE INSTALLED TO LIFT STATION
- NEW FLIGHT BALL INSTALLED IN WETWELL
- 7.05 FROM FLIGHT BALL TO MH RIM
- 4.33 FROM TOP OF ROOF SLAB TO MH RIM



VALVE SUPPORT DETAIL
SCALE N.T.S.

CONSTRUCTION NOTES:

1. ALL NUTS, BOLTS, ANCHORS, AND FASTENERS ARE ASTM A276 TYPE 316 STAINLESS STEEL.
2. ALL STRUCTURAL STEEL IS ASTM A240 TYPE 304 STAINLESS STEEL.
3. EXCAVATION BACKFILLED WITH CLASS 3 BACKFILL IN ACCORDANCE CW 2030 AND SD-002.
4. INSTALLED RISER SECTIONS IN ACCORDANCE WITH CW 2130.

MATERIAL LIST

ITEM	MANUFACTURER	MODEL	MATERIAL	CLASS
WATERMAIN				
GATE VALVE (RISING STEM)	JENKINS	-	CI	SDR35
VALVE BOX	IPEX	-	PVC	
SPINDLE	A POST MANUFACTURER	-	CI	
FRAME & COVER	TITAN FOUNDRY	-	CI	
COUPLINGS	MUELLER CANADA	-	CI	
CONCRETE COLLARS	LAFARGE	-	CONCRETE	
SEWER FLEXIBLE TRANSITION COUPLINGS	MISSION COUPLINGS	-	-	
COPPER PIPE	WOLVERINE	-	COPPER	
SEWER PIPE	IPEX	-	PVC	SDR35
GROUT	SIKA ZIC	-	-	
BUBBLE TUBE	SCHEDULE 80	-	-	

CONTRACTOR: TRI CORE PROJECTS MANITOBA LTD.

METRIC
WHOLE NUMBERS INDICATE MILLIMETRES
DECIMALIZED NUMBERS INDICATE METRES

RECORD DRAWING
WATER AND WASTE DEPARTMENT

PROJECT COMPLETION DATE: 2005 04 04

B.M. 35-024
ELEV. 230.714

CITY OF WINNIPEG
WATER AND WASTE
ENGINEERING DIVISION

ENGINEER'S SEAL

ORIGINAL MYLAR
SIGNED BY
K.R. ZUREK
05/10/20

THE CITY OF WINNIPEG
WATER AND WASTE DEPARTMENT
Winnipeg

2004 WASTEWATER PUMPING STATIONS
INLET CONTROL VALVE INSTALLATIONS

SHEET 1 OF 7

**BURROWS WASTEWATER
PUMPING STATION**

05523

NO.	REVISIONS	DATE	BY
1.)	REVISED TO RECORD DRAWING	05.10.04	CJH

DESIGNED BY	DB	CHECKED BY	TW
DRAWN BY	WKT/CJH	APPROVED BY	KZ
SCALE	AS SHOWN	RELEASED FOR CONSTRUCTION	
DATE	2004.12.03	DATE	

BID OPPORTUNITY: 579-2004
FILENAME: 05523_05528.dwg
PLOT DATE: 2005 10 05